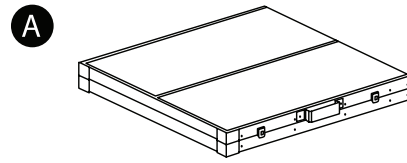
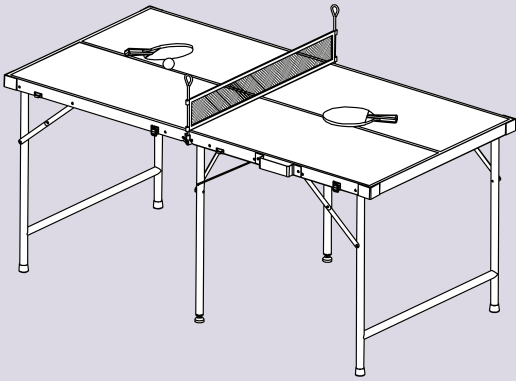


5ft Portable Table Tennis Instructions

Model No.

Part List



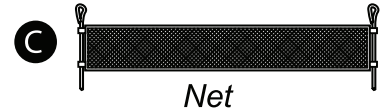
Portable Table



2 x Leg Levellers



Bats And Balls



Net

Check that you have all the parts following the list below and familiarise yourself with each parts before proceeding.

Ensure you have enough space before assembly .

To avoid scratching it is recommended that you assemble the unit on a soft level surface.

This is an indoor table it must not be used under direct sunlight and should not come in contact with water.

For home use only, not for professional or tournament use.

Regularly check item for damage before use.

This item must be assembled by an adult.

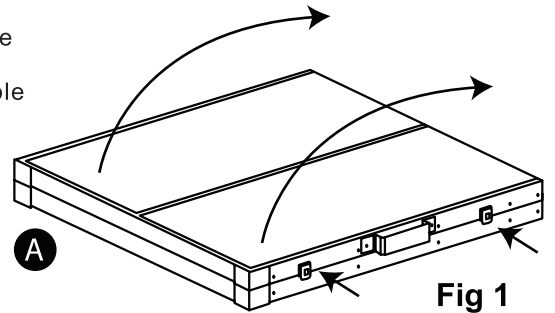
Make sure table is assembled and secure before use .

This product contains small parts and is not suitable for children under 3 years of age.

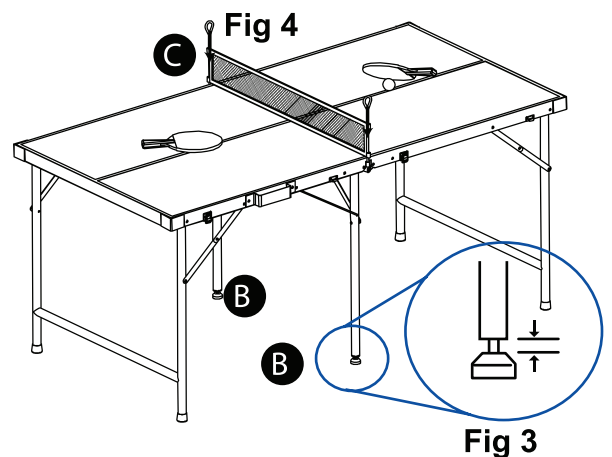
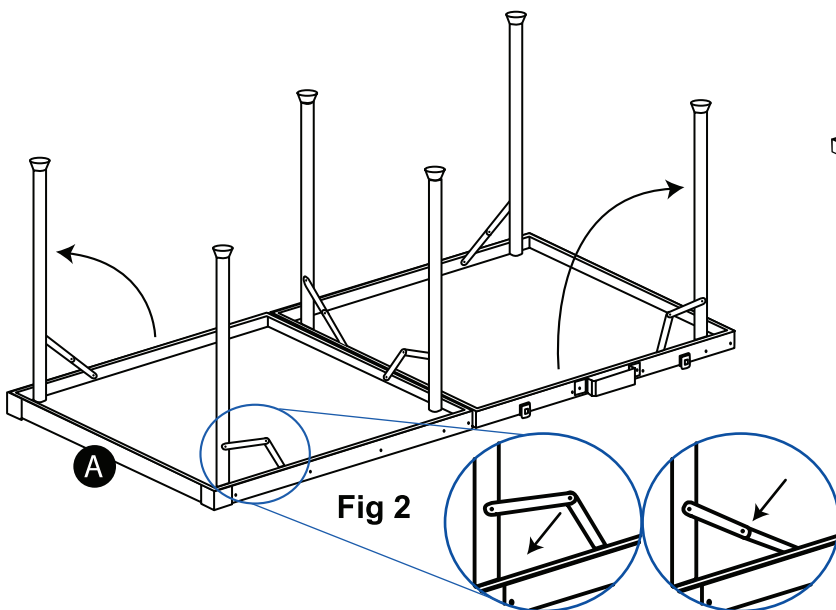


ASSEMBLING YOUR PORTABLE TABLE

- 1 Find a clean at surface and open the locking clips and open the table (A) (fig 1) .



- 2 Open out the legs and secure the folding-clips as show in (fig 2). Place the safety hook into the middle legs. With the help of another adult carefully turn the table over.



- 3 If necessary , adjust the leg levellers (B) until the table surface is even as show in (fig 3). Insert the net (C) into the braces as shown in (fig 4) and you are read y to play !