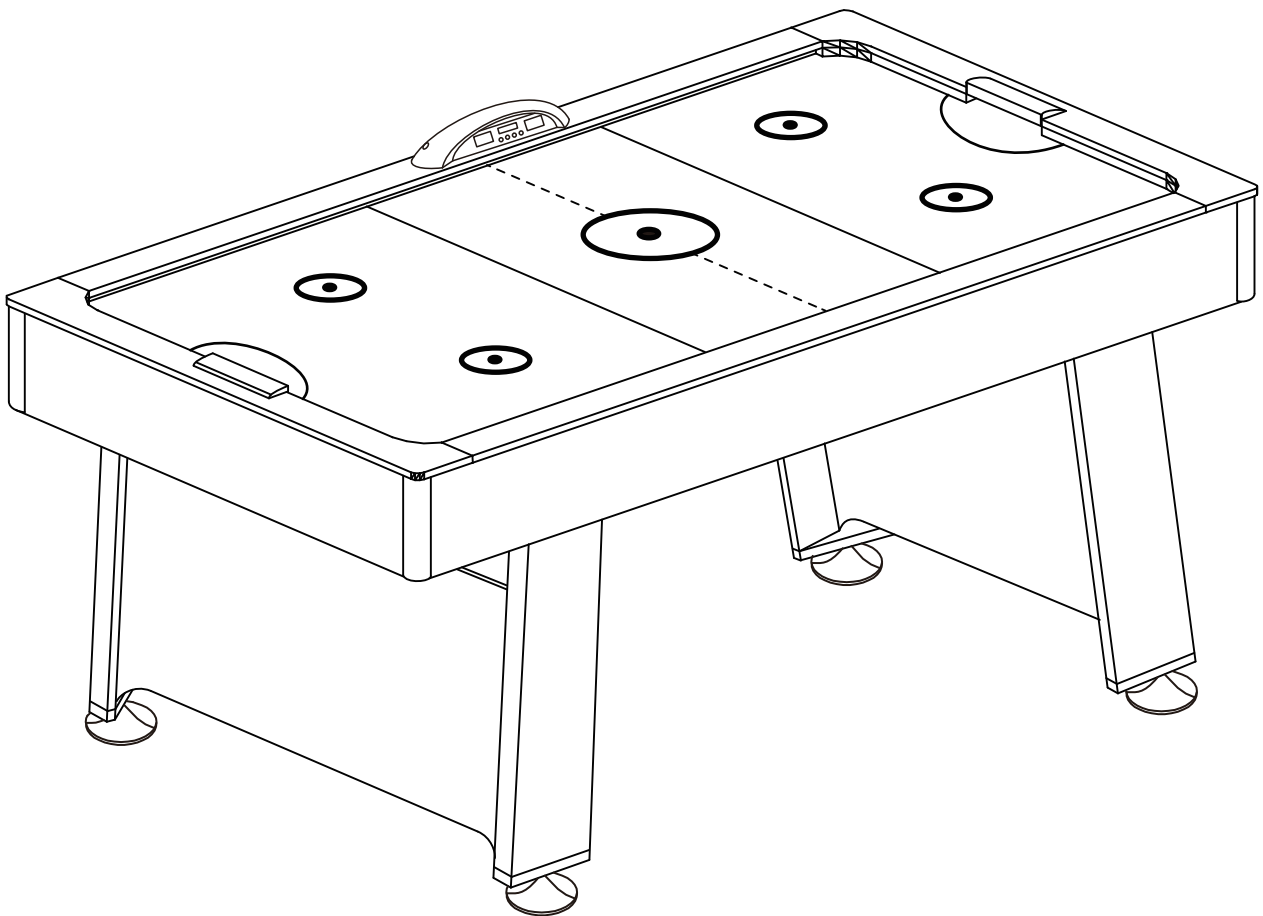


# INSTRUCTION MANUAL

ES-AH8042-E1 LED

AIR HOCKEY TABLE



# Parts List

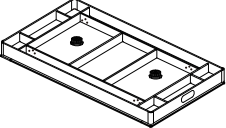


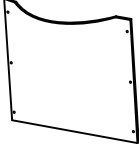

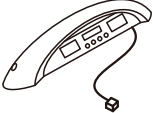
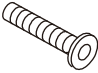

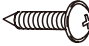






<p>1</p>  <p>Main Cabinet 1pc</p>	<p>2</p>  <p>Leg Right 2pcs</p>	<p>3</p>  <p>Leg Left 2pcs</p>	<p>4</p>  <p>End Leg Brace 2pcs</p>	<p>5</p>  <p>Leg Leveler 4pcs</p>
<p>6</p>  <p>E.S. 1pc</p>	<p>7</p>  <p>M8x30mm Bolt 12pcs</p>	<p>8</p>  <p>M8 Washer 12pcs</p>	<p>9</p>  <p>3.5x14MM Screw 12pcs</p>	<p>10</p>  <p>3.5x28MM Screw 4pcs</p>
<p>11</p>  <p>Allen Wrench 1pc</p>	<p>12</p>  <p>RED Striker 2pcs</p>	<p>13</p>  <p>LED Puck 2pcs</p>	<p>14</p>  <p>Red Puck 1pc</p>	<p>15</p>  <p>ADAPTOR 1 pc</p>

FIG. 1

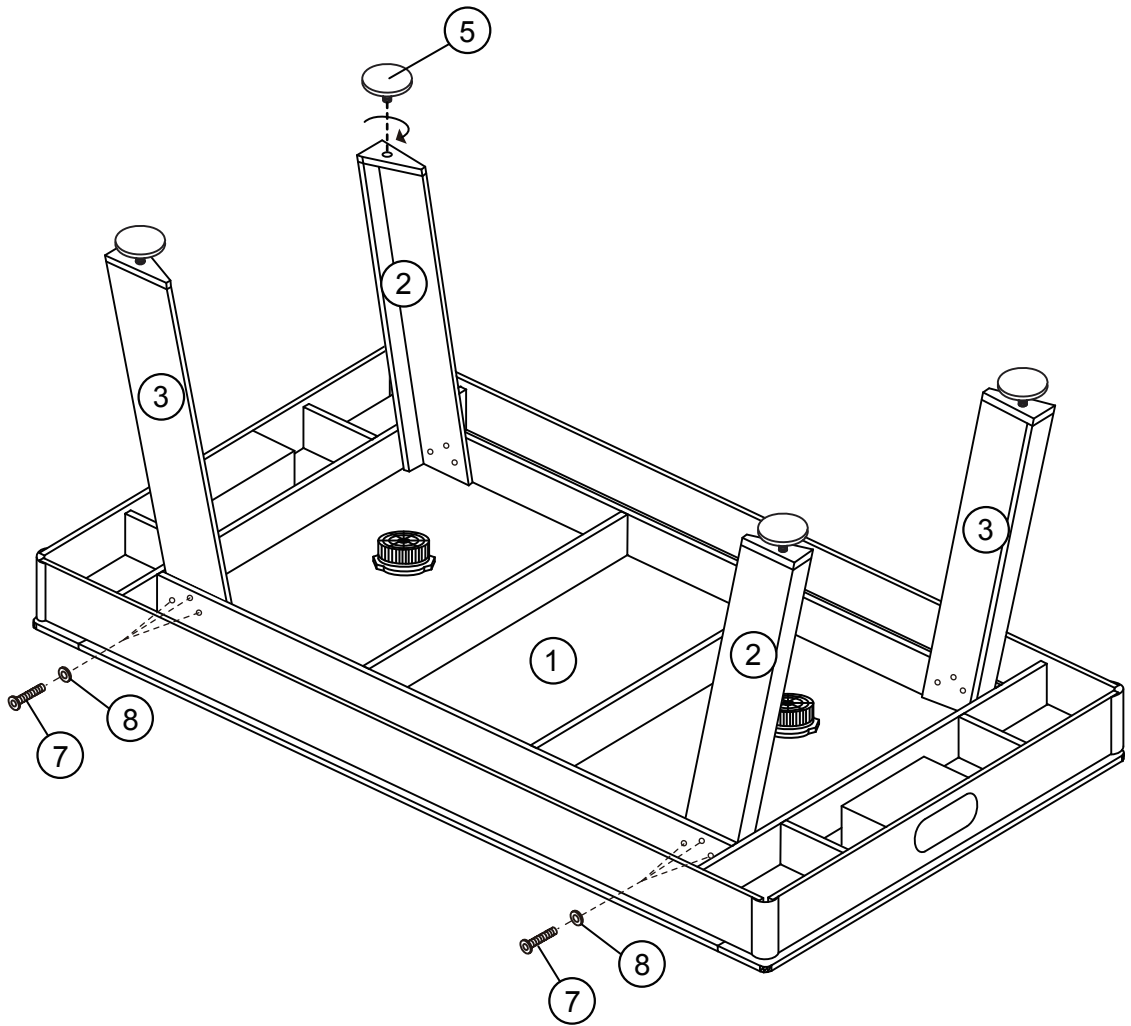


FIG. 2

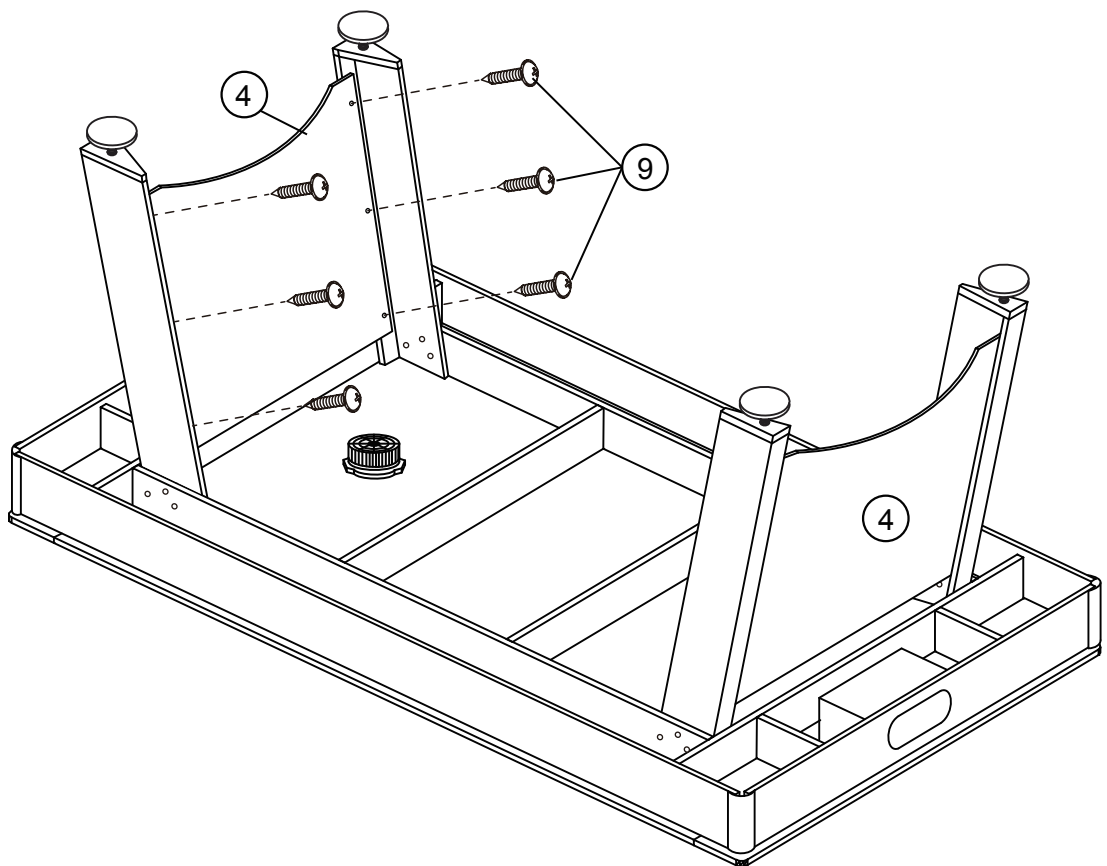
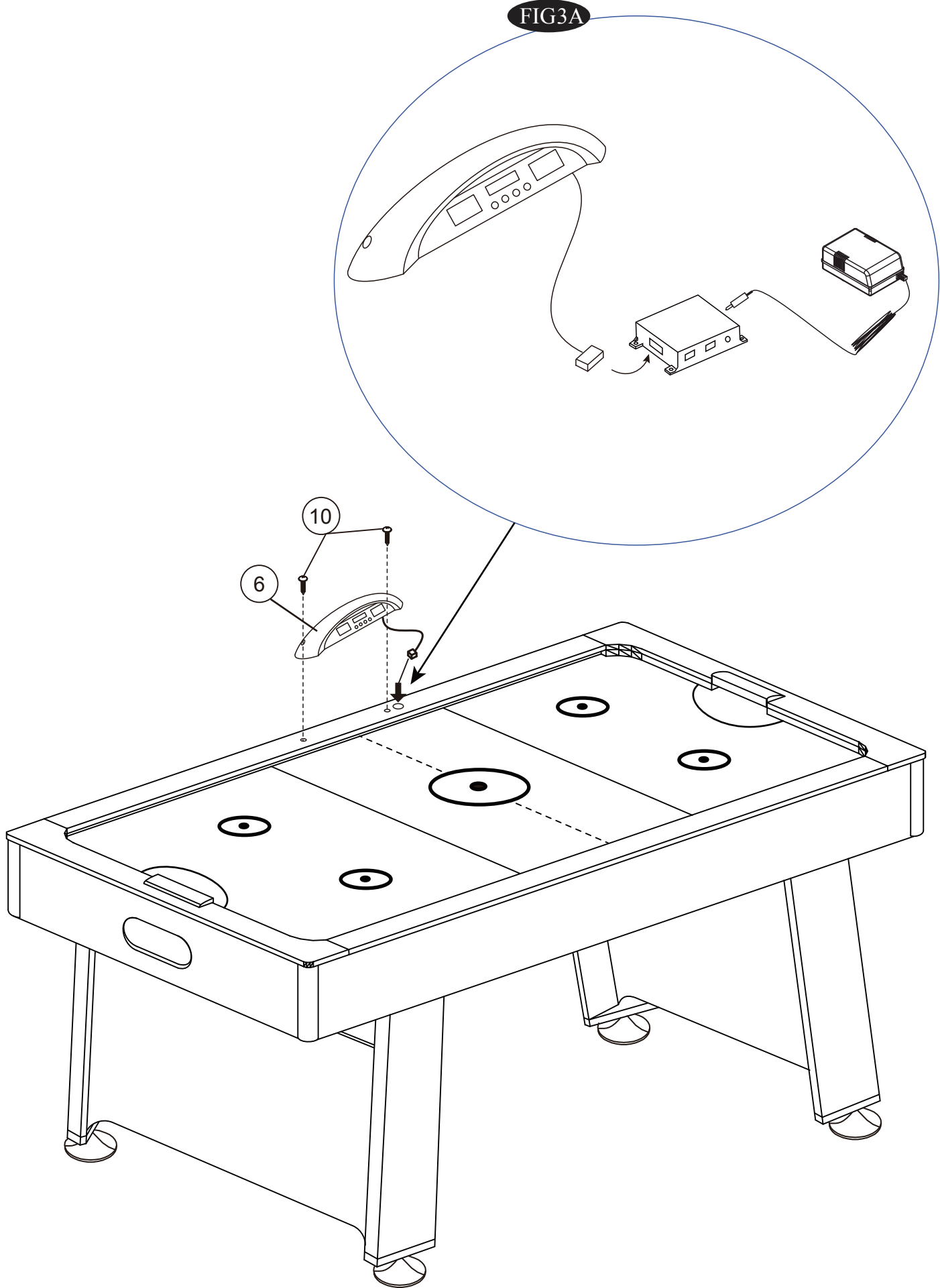
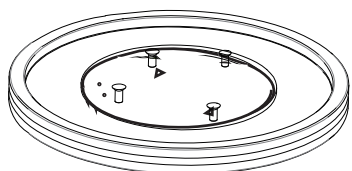


FIG. 3

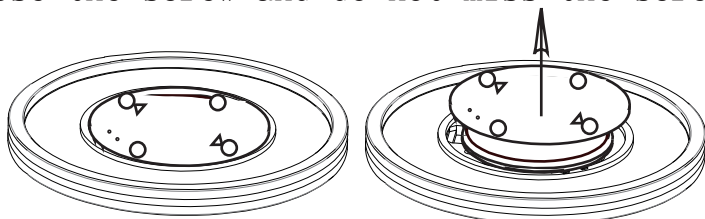
FIG3A



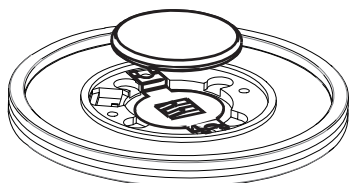
1) Place the LED puck on a flat surface



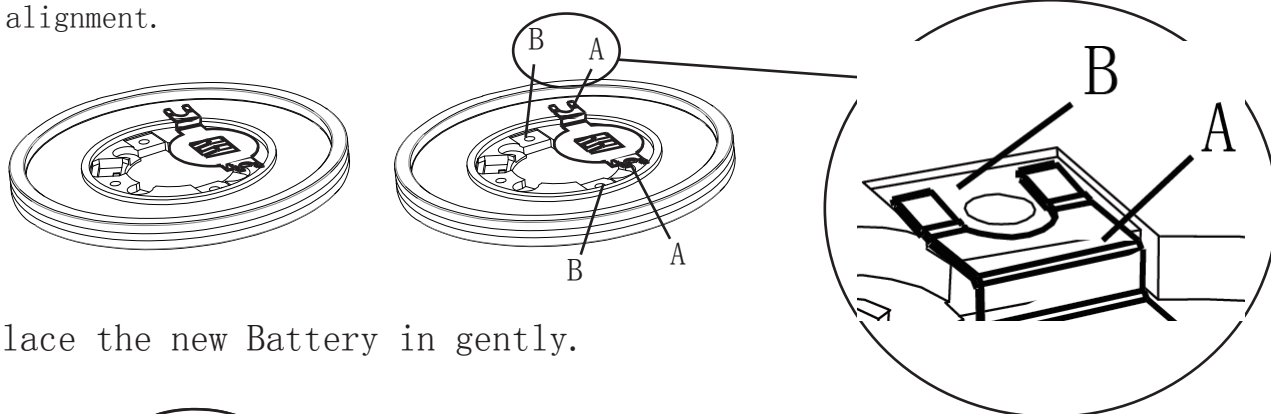
2) Loosen the screw and do not miss the screws. Remove the battery panel



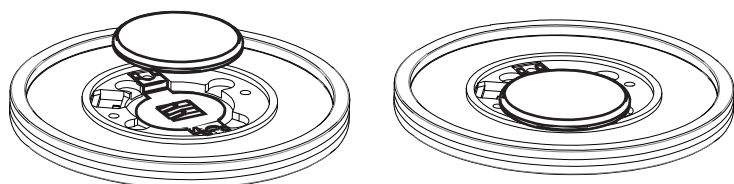
3) Take out the used battery gently



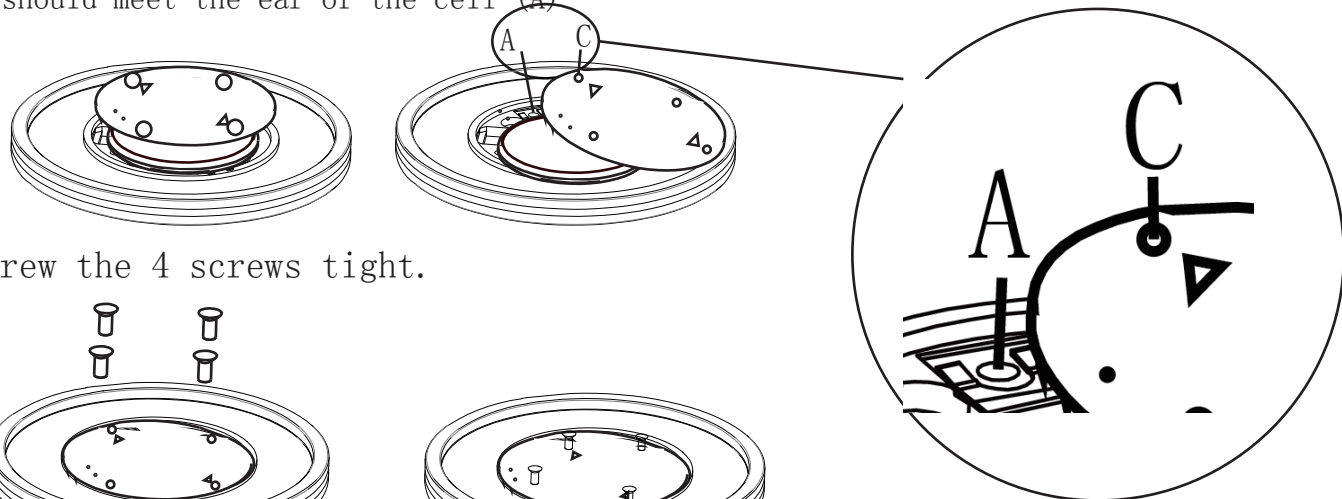
Note: Keep the ear of the cell (A) and the interior plastic square-shaped part (B) into alignment.



4) Place the new Battery in gently.



5) Place the battery panel on the battery. Note that the triangle mark hole (C) should meet the ear of the cell (A)



6) Screw the 4 screws tight.

