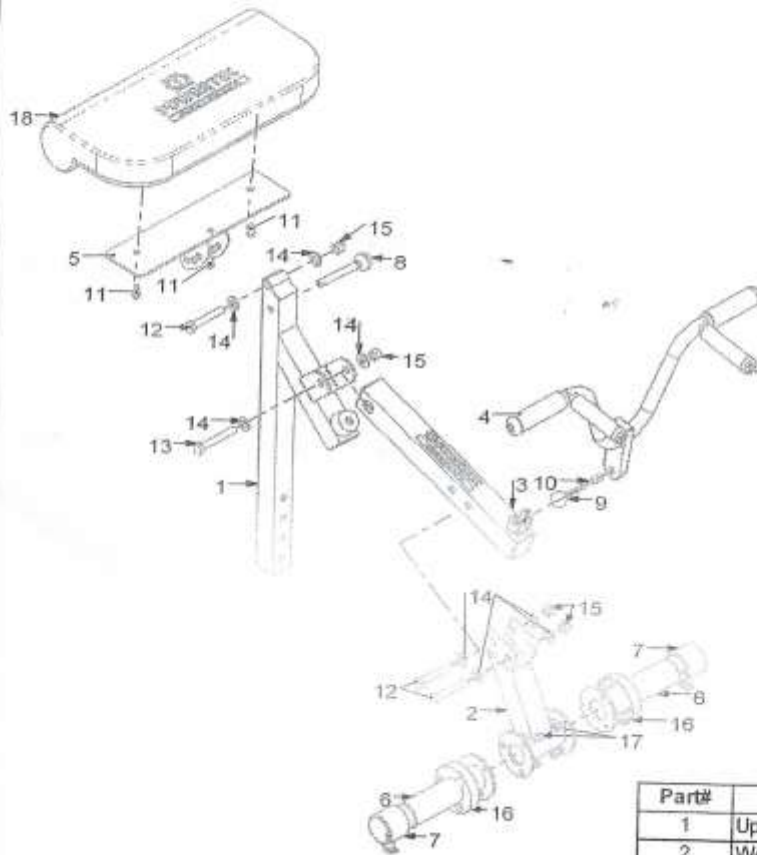


# EXPLODED DIAGRAM

**POWERTEC**



| Part# | Description          | QTY |
|-------|----------------------|-----|
| 1     | Upright              | 1   |
| 2     | Weight Horn Tube     | 1   |
| 3     | Linkage Tube         | 1   |
| 4     | Curl Handle Bar      | 1   |
| 5     | Arm Curl Pad Tube    | 1   |
| 6     | Weight Horn          | 2   |
| 7     | Collar               | 2   |
| 8     | Ball Head Lock Pin   | 1   |
| 9     | Ball Head Lock Pin   | 1   |
| 10    | Bushing              | 1   |
| 11    | Hex Bolt 3/8"x3/4"   | 3   |
| 12    | Hex Bolt 1/2"x3 1/8" | 3   |
| 13    | Hex Bolt 1/2"x3 1/2" | 1   |
| 14    | Washer 1/2"          | 8   |
| 15    | Nylon Nut 1/2"       | 4   |
| 16    | Rubber Bumper        | 2   |
| 17    | Hex Bolt 3/8"x1/2"   | 6   |
| 18    | Arm Pad              | 1   |

**WB-CMA13**

**WORKBENCH CURL MACHINE ACCESSORY**